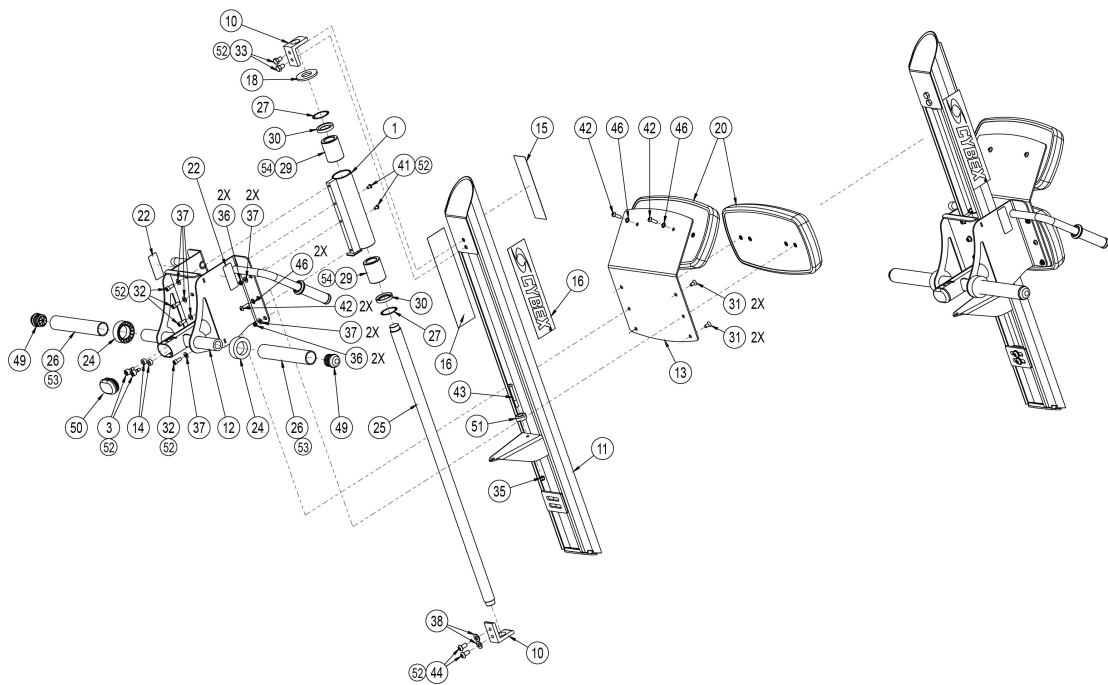


2	WEIGHT ROD .625 DIA X 22.50	
4	PLATED GUIDE ROD COLLET	
5	DECAL, MADE IN USA	
6	END CAP	
7	RING, HANDLE GRIP	
8	NON-SLIP	
9	FOOT PAD	
11	WELDED FRAME	
19	GRIP 1.38 OD X .96 ID 5.00 □	
23	DECAL, WARNING	GERMAN
23	DECAL, WARNING	FRENCH
23	DECAL, WARNING	SPANISH
23	DECAL, WARNING	ENGLISH
23	DECAL, WARNING	JAPANESE
23	DECAL, WARNING	SWEDISH
23	DECAL, WARNING	RUSSIAN
23	DECAL, WARNING	DANISH
23	DECAL, WARNING	DUTCH
28	DECAL, CAPACITY	
34	INSERT 3/4 X 1/4-20	
39	SET SC .250-20 X .38 NYLON PT	
40	BHSCS .250-20 x 1.50	
45	SHCS .500-13 X .75	
47	SPLIT LOCKWASHER .500	
48	INSERT, DOMED PLASTIC	
52	ADH, THRD LKR, REM NO. 242	
K1	KIT. HANDLE END CAPS	

16290 Rail Assembly



1	COATED BEARING SLEEVE	
3	HEX SOCKET CAM FOLLOWER	
10	SHAFT MOUNT	
11	WELDED FRAME	
12	W/SEAT SLIDE	
13	SEAT PLATE	
14	SPACER	
15	PLACARD, PLATE LOADED 60 DEGREE CALF	GERMAN
15	PLACARD, PLATE LOADED 60 DEGREE CALF	FRENCH
15	PLACARD, PLATE LOADED 60 DEGREE CALF	SPANISH
15	PLACARD, PLATE LOADED 60 DEGREE CALF	ENGLISH
15	PLACARD, PLATE LOADED 60 DEGREE CALF	JAPANESE
15	PLACARD, PLATE LOADED 60 DEGREE CALF	SWEDISH
15	PLACARD, PLATE LOADED 60 DEGREE CALF	RUSSIAN
15	PLACARD, PLATE LOADED 60 DEGREE CALF	DANISH
15	PLACARD, PLATE LOADED 60 DEGREE CALF	DUTCH
16	DECAL CYBEX 1.94 HOR BLACK	
16	DECAL CYBEX 1.94 HOR SILVER	
18	BUMPER, HANDLE	
20	SEAT PAD	
22	DECAL, WARNING	
24	SPACER, PLASTIC	
25	SHAFT	
26	P/WEIGHT TUBE	
27	RETAINING RING	
29	BRG, LINEAR 1.50	
30	SEAL, LINEAR BEARING	
31	FHSCS .375-16 X .75	
32	SHCS .375-16 X .875	
33	HX HD CAP SC .500-13 x .75	
35	LOCKNUT, .375-16 NYLON	
36	LOCKNUT, .375-16 NYLON	
37	WASHER, SAE .375	
38	WASHER, SAE .500	
41	BHSCS .312-18 X .50	
42	BHSCS .375-16 X 1.25	
43	BHSCS .375-16 X 3.25	
44	BHSCS .500-13 X 1.00	
46	LOCKWASHER, INT TOOTH .375	
49	INSERT, PLASTIC END	
50	INSERT, DOMED PLASTIC	
51	BUMPER, RECESS	
52	ADH, THRD LKR, REM NO. 242	
53	LOCTITE #680 .5 MI	
54	PLEASE USE WHITE LITHIUM GREASE	