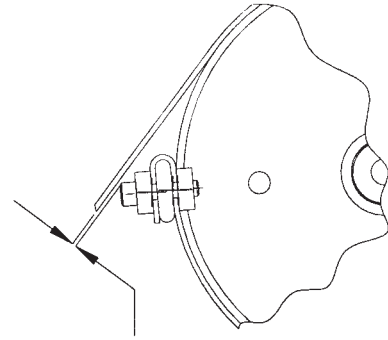
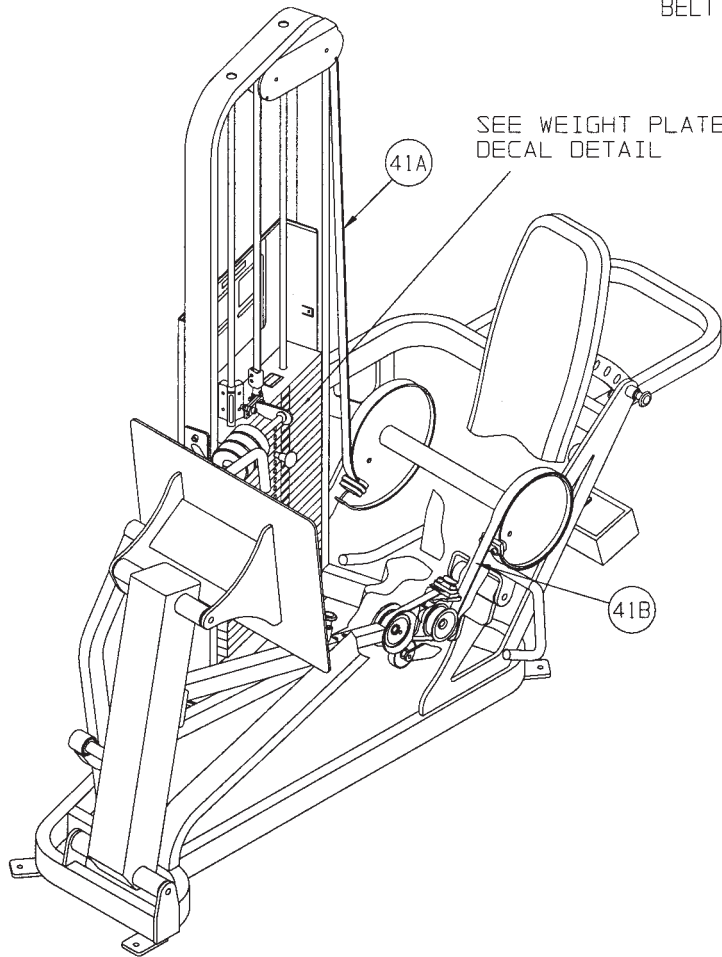


BELT ROUTING DETAIL



THE GAP BETWEEN
THE CLAMPING BOLTS
AND THE BELT NEEDS
TO BE 1/32" TO 3/8"

BELT CLAMPING DETAIL



BELT ROUTING DETAIL