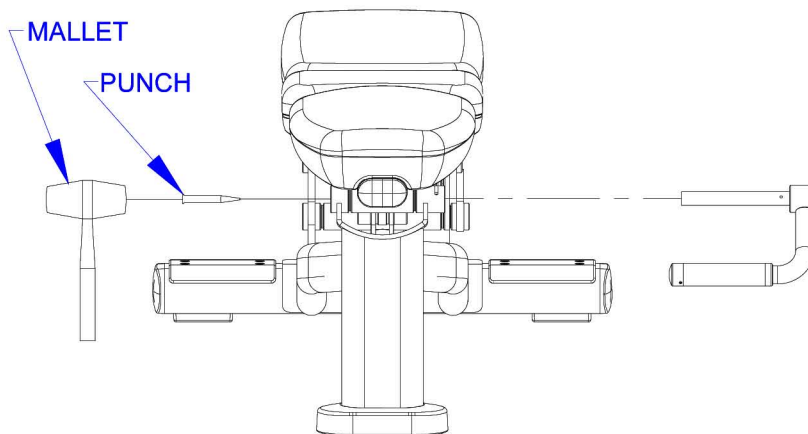


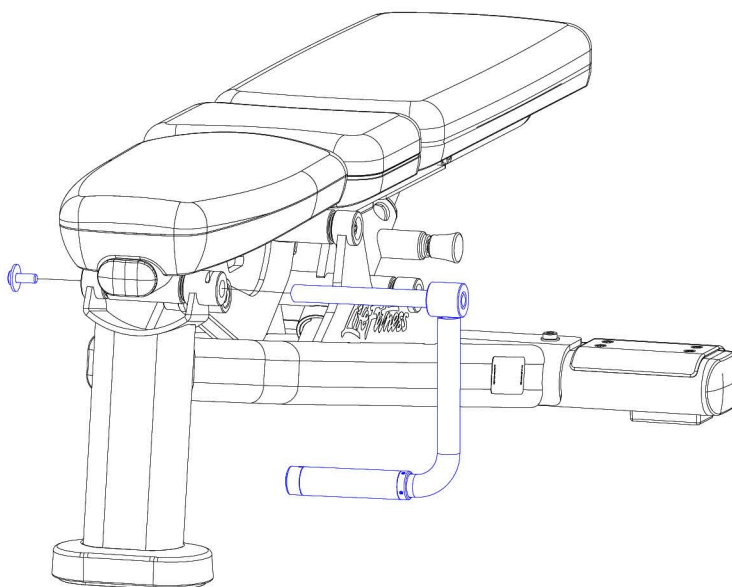
TOOLS REQUIRED
7mm Allen head wrench
Rubber mallet
Center punch

PROCEDURE

1. Extract the existing handle from the bench. Discard the handle. The center punch and mallet may be required to force the handle out.



2. Route the new handle through the frame.
3. Thread the bolt and washer on the opposing side and tighten to 20-25 ft-lbs (27-34 Nm).



4. Cycle the seat adjustments to ensure proper working order.