

PROBLEM

The old rubber buffer plates on the A62 and A71 are too thin.



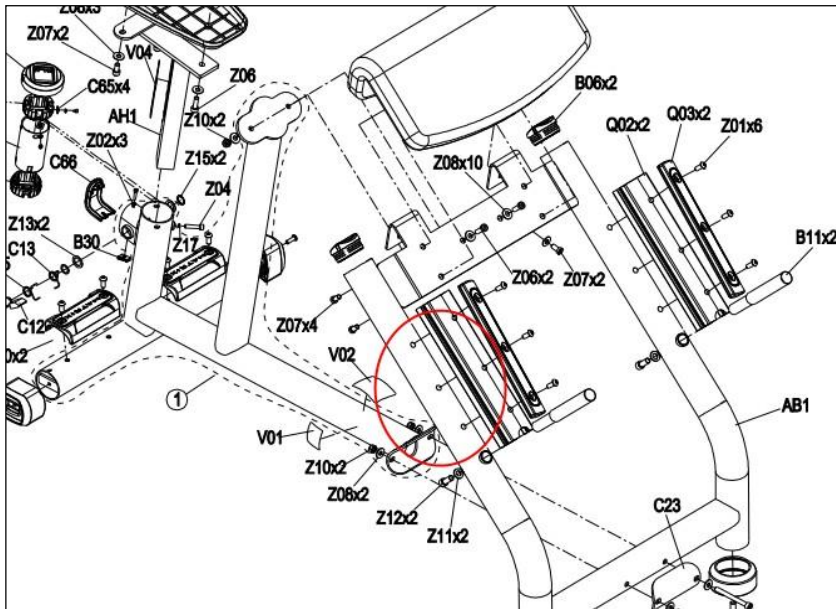
SOLUTION

Replace the old rubber buffer plates with new, thicker ones.

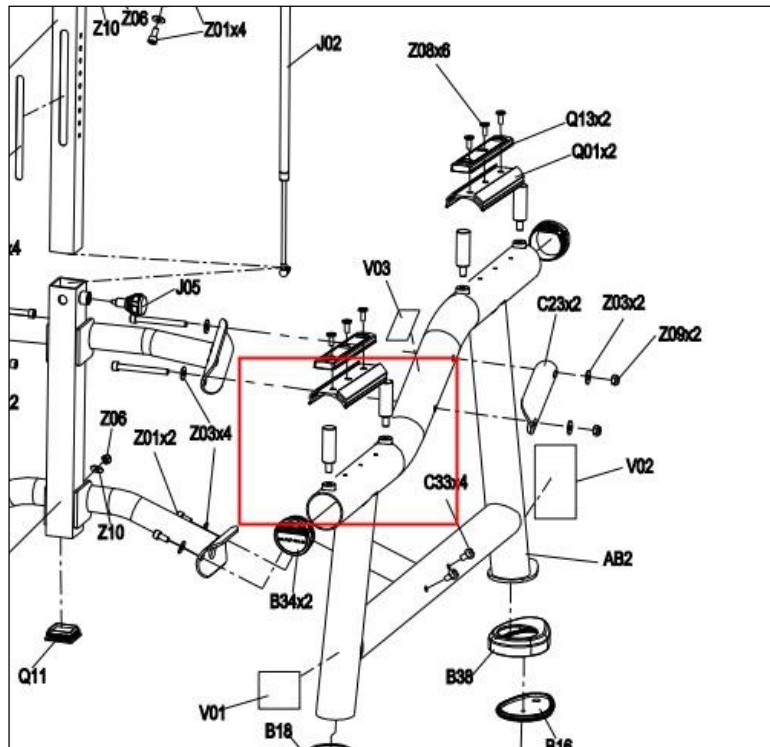
Note: This change starts in July 2015 production for both the A62 and A71.

- 1) Change the thickness and hole pitch of the rubber buffer plate.
Thickness of new rubber buffer plate: 33mm
Hole pitch of new rubber buffer plate: 95.3mm
- 2) Extend the length of the screws.
- 3) Alter the hole pitch of the frame support tube.
Change the hole position to fit the new rubber plate.

Below are the parts for the FW224 (A62) rework solution:
 Q02 2pcs Q03 2pcs Z01 6pcs AB1 1pc



Below are the parts for the FW213 (A71) rework solution, **per side**:
 Q13 4pcs Z08 12pcs AB2 1pc



Note: Please choose the part number according to your color requirement.