

# Jaypro Safe-Pro™ Edge Padding

## Specifications - MBBP-6XX Bolt-On Edge Padding

Padding shall be provided to protect the bottom and 15" up each side of the backboard to meet or exceed all NCAA, NFHSA, and professional requirements.

The padding shall provide a full 2" thickness from the bottom and sides of the backboard frame. The front and back surfaces of the backboard frame shall be further protected by a 1" thick lip extending 3/4" up from the bottom and sides of backboard.

New molding process shall produce a super tough "skin" on the outside of the foam padding for long life. Pre-molded square corners provided for improved player safety. Molded-in steel track and bolt-on attachment system shall eliminate regluing or taping.

Padding shall fit all official rectangular glass backboards.

Available in NCAA-approved Gray color. Also available in Cardinal, Burnt Orange, Purple, Old Gold, Royal Blue, Scarlet, Navy Blue, Yellow, Forest Green, Orange, Maroon, Kelly Green, Black, Columbia Blue and Light Purple.

Padding shall feature a 10 year Replacement Warranty when installed indoors.



The form fit pad with pin style attachment eliminates sagging of the pad underneath the rim.



Please Note: Actual colors may differ slightly from printed colors.



# Installation Instructions MBBP-6 (Bolt-on Edge Padding)

## Carton Contents (Bill of Material):

<u>Qty</u>	<u>Description</u>
2	Molded Backboard Padding
8	1/4-20 x 3" Pan Head Machine Screw
8	1/4-20 x 1" Pan Head Machine Screw
8	1/4-20 Serrated Flange Nut
2	1/4" OD Edge Pad Assembly Alignment Rod
1	Installation Instruction Sheet

## Tools Required:

- Phillips screwdriver with #2 or #3 bit  
(Following are only required for non-Jaypro backboards)
- Portable drill with 5/16" drill bit
- Masking tape
- Utility knife
- Tape measure
- Center punch

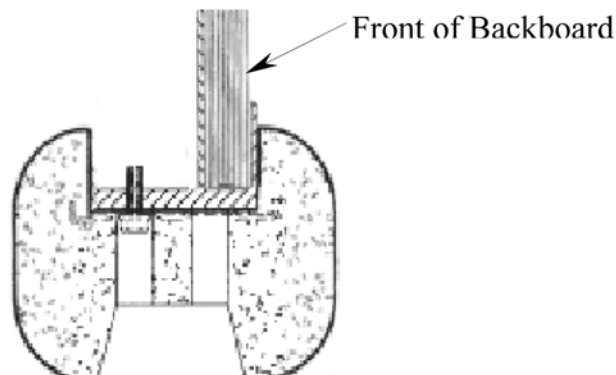
## Installation Instructions:

1. Check contents of carton for all items listed. If an item is missing, please contact your dealer. .

For Jaypro backboards, skip directly to step 5.

2. Using a tape measure, mark the centerline of the backboard. Place one of the pads in position on the backboard. Use masking tape to hold it in position for locating the mounting holes. For best fit, line up the first pad with the centerline and then place the second pad next to the first in step 5.
3. Using a center punch, mark the hole locations for the drilled holes.

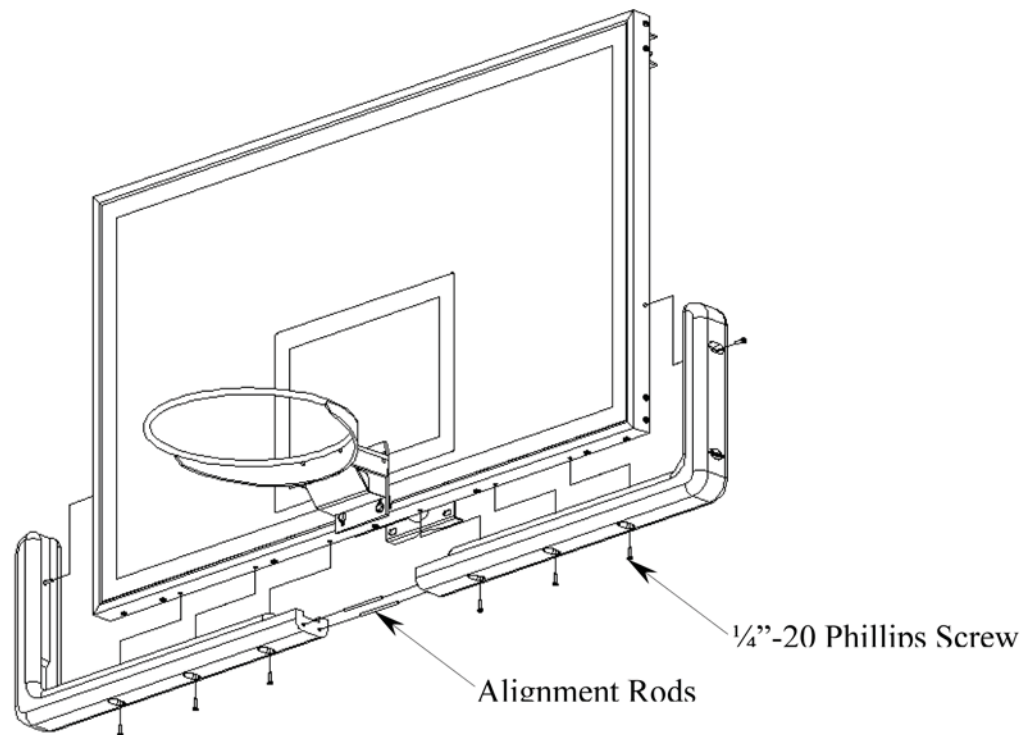
**IMPORTANT: Always use the hole location toward the rear of the backboard to avoid drilling into the backboard glass!**



**Figure 1: Holes Drilled Through Frame - Towards Rear of Board**

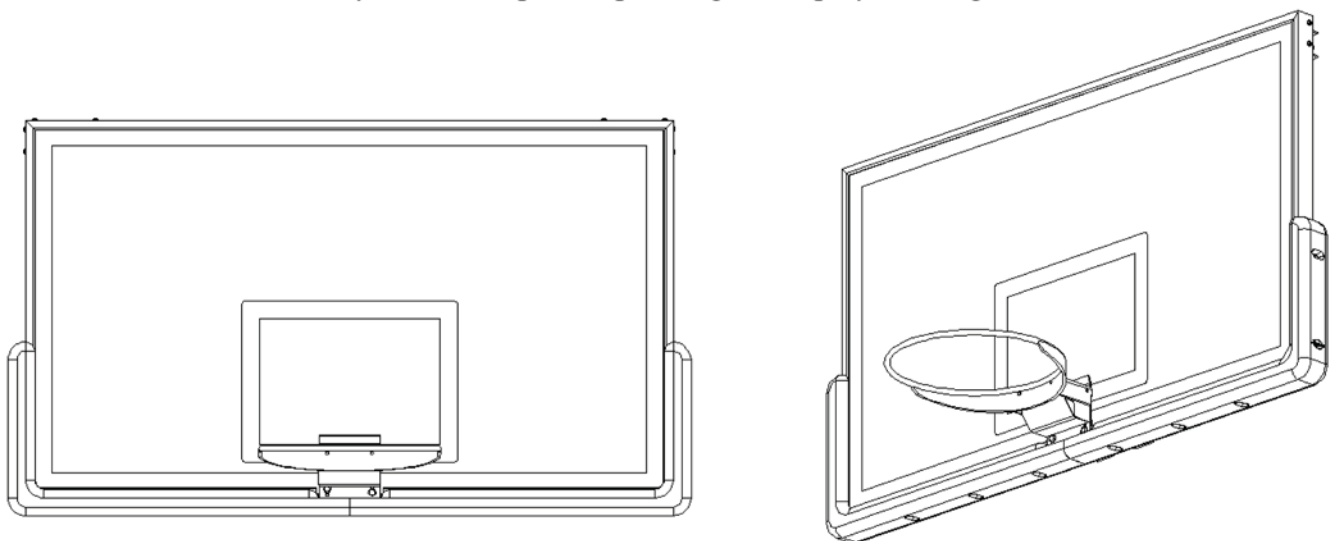
4. At the marked locations, use a 5/16" drill bit to drill through the backboard frame.
5. Select either the 1" or 3" bolts, and bolt the first edge pad into place. Fit the second edge pad in place and repeat steps 2 through 5.

**NOTE:** The 1" bolt is sufficient for all Jaypro glass backboards, and for all others with thin metal frame (nuts required only for the latter). 3" bolts are required for boards with reinforced frame or tube steel bottom frame.



**Figure 2: Assembly of Edge Pad Onto Backboard**

**TIP:** Leave all bolts loose until both edge pads are in place, then stretch both pads towards the center and tighten bolts. This will minimize any gap between the pads, as well as insure the best quality installation and reduce any chance of pads separating when players hang on them.



**Figure 3: Assembled Backboard and Edge Pad**

# MBBP-6

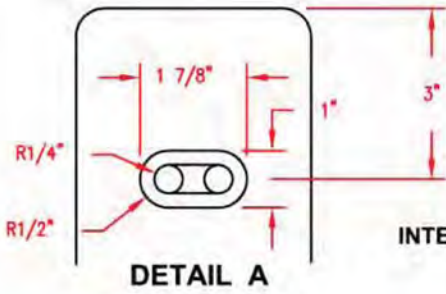
## **BOLT-ON BACKBOARD PADDING FOR RECTANGULAR GLASS BOARDS**

The MBBP-6 edge padding shall meet all the requirements/recommendations of the NCAA, NFSHSA, WNBA, and NBA. The padding shall cover the bottom surface of the board and the side surface to a distance of 15" and be not less than 2" thick. The front and back surface shall be covered to a minimum distance of ¾" up from the bottom and be not less than 1" in thickness. The padding shall be 1" thick from the front and back surfaces of the backboard.

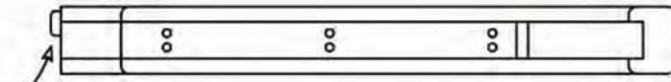
Competition series bolt-on backboard edge guards are for 72" glass backboards. Molded from color matched self-skinning urethane foam in two-piece design. The exterior of the MBBP-6 pads are of a tough molded urethane skin to provide the exterior with a uniform colored appearance. A steel plate shall be molded into the padding to facilitate the attachment of the padding to the backboard with bolts. All attachment hardware shall be within the inherent molded recesses of the pads at the required attachment locations. Interlocking tabs shall be provided at the match point between the two halves to aid in the splice. Packaged in pairs, one pair will complete one backboard. 3/8" attachment hardware is included.

MBBP-6 shall be warranted free from manufacturing defects for a period of 3 years.

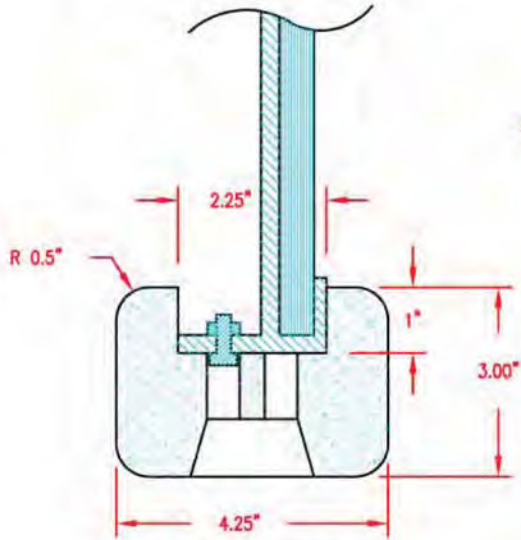
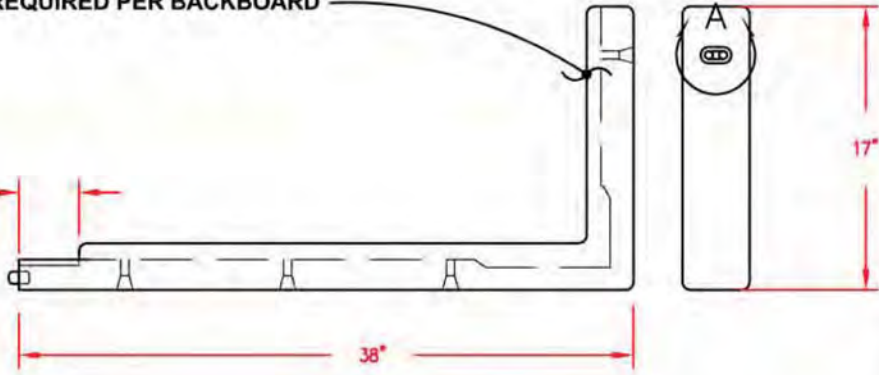
# MBBP-6 BOLT-ON EDGE PADDING



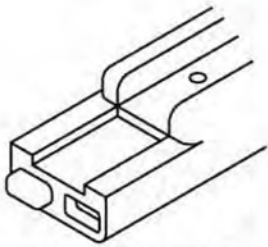
**INTERLOCKING TAB**



**2 REQUIRED PER BACKBOARD**



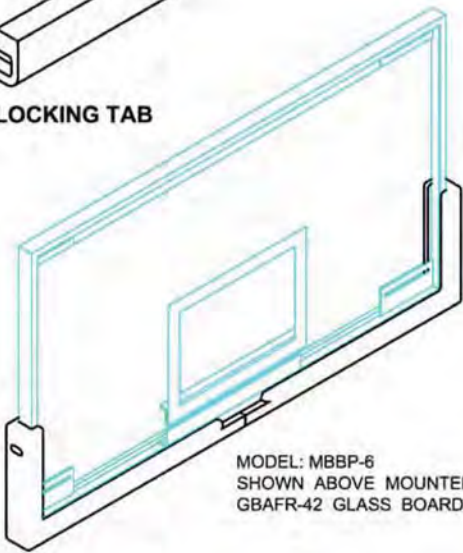
**SECTION B-B**



**INTERLOCKING TAB**



**FRONT VIEW**



MODEL: MBBP-6  
SHOWN ABOVE MOUNTED TO  
GBAFR-42 GLASS BOARD