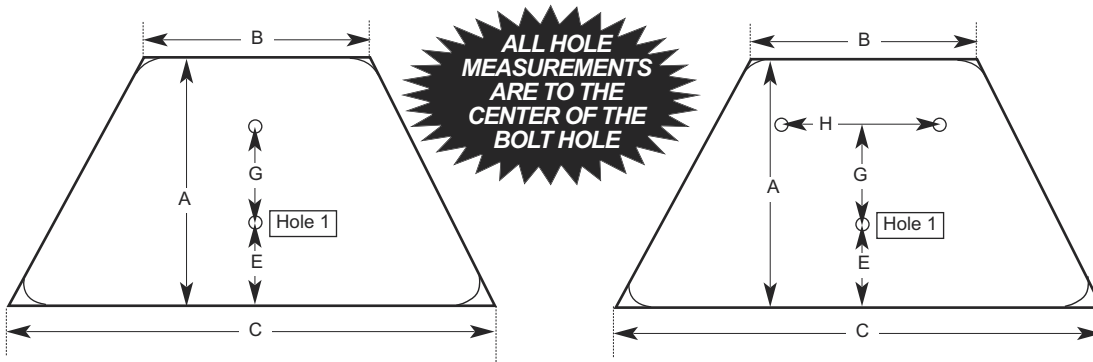


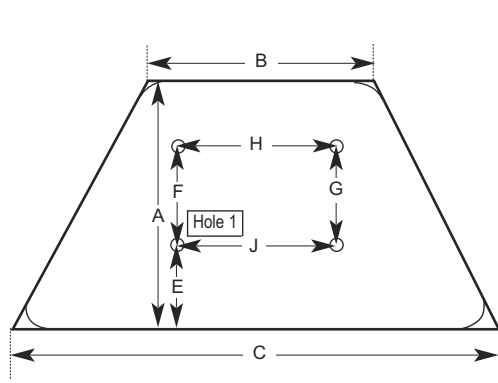
**HOW TO MEASURE:
REMOVE PAD FROM MACHINE FOR
ACCURATE HOLE PLACEMENT.**

- Once pad is removed identify top (head end) of plywood.
- All measurements are in inches

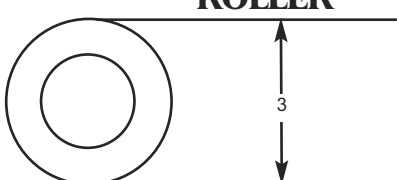
- A. Actual length of wood
- B. Width of wood at (head end)
- C. 2nd width of wood if different than B.
- D. Distance from edge to center of first hole (hole 1)
- E. Distance from adjacent edge to center of first hole.
- F. Distance between holes (center to center)
- G. Distance between holes (center to center)
- H. Distance between holes (center to center)
- J. Distance between holes (center to center)
- K. Foam size is 3/4", 1", 1-1/4", 1-1/2" and 2" . Do not include board thickness in your measurement. Standard plywood is 3/4"
- L. Specify bolt diameter. 1/4", 5/16", 3/8"



ALL HOLE MEASUREMENTS ARE TO THE CENTER OF THE BOLT HOLE



ROLLER

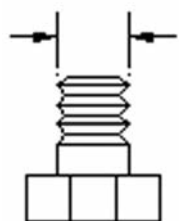


Remove roller from the machine to get an accurate length.

1. Length of roller - measure inner length.
2. Diameter of shaft roller rides on.
3. Outside diameter of roller.

Please measure and put dimensions on pad order sheet.

BOLT DIAMETER





CUSTOM PAD ORDER SHEET

Club Name: Phone Number:

Contact: Fax Number:

Address Email:

City, State, Zip: Customer ID:

Using the instructions on the previous page, please measure the pad for which you need a replacement and draw a diagram with the measurements in the space provided. Please call with any questions: 1-800-875-7780.

Email completed form to Brian@fullcirclepadding.com or fax to 508-285-2502.

Your diagram should have the measurements filled in like the samples below.

Manufacturer Machine Model # Serial #

Pad Position Shape of Pad
(head, back, seat, chest, shoulder, elbow, arm, thigh, shin, ankle) (roller, square, half moon, rectangle, rectangle with angle sides)

Color: Complete Pad Wear Cover only

Your diagram should have the measurements filled in like the samples below.

Manufacturer Machine Model # Serial #

Pad Position Shape of Pad
(head, back, seat, chest, shoulder, elbow, arm, thigh, shin, ankle) (roller, square, half moon, rectangle, rectangle with angle sides)

Color: Complete Pad Wear Cover only

Fax your diagram to: 508-285-2502 or email: brian@fullcirclepadding.com