

Technical Procedure

Gen. 3 DAP/MS/CC Adjustable Trolley and Swivel Install

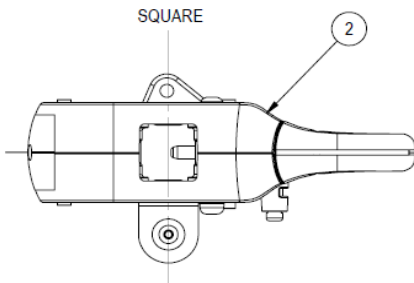
Applies to: Dual Adjustable Pulley + Multistation + Cable Crossover



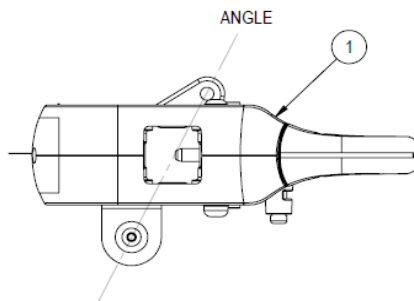
This document describes the process to install the generation 3 dual adjustable pulley, multistation, and cable crossover adjustable handles. Note that while the handles may be slightly different, the install process is the same.

DAP: Dual Adjustable Pulley
 MS: Multi-Station
 CC: Cable Crossover

See below for handle compatibility information:



MULTI STATIONS AND
 CROSS OVERS ONLY



DAP's ONLY

THOUGH THE HANDLE MAY LOOK THE SAME
 THEY ARE NOT.

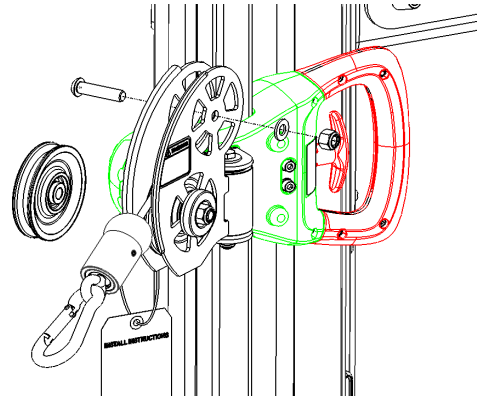
VISUALLY INSPECT THE HANDLE BEFORE YOU
 INSTALL THEM.

MULTI STATIONS AND CROSS OVER HANDLES
 HAVE THE PIVOT POINT AND THE CABLE
 ATTACHMENT SQUARE TO THE POST HOLE.

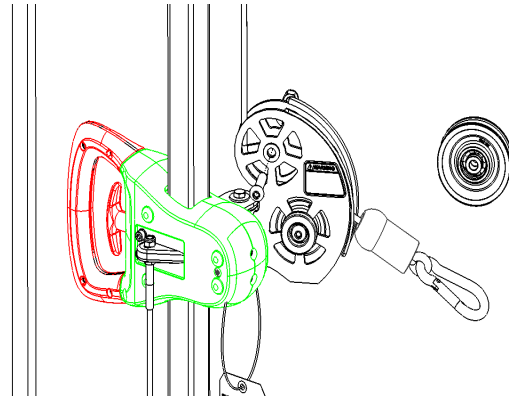
DAP'S HAVE THE PIVOT POINT AND CABLE
 ATTACHMENT ON AN ANGLE FORM THE POST
 HOLE.

Technical Procedure

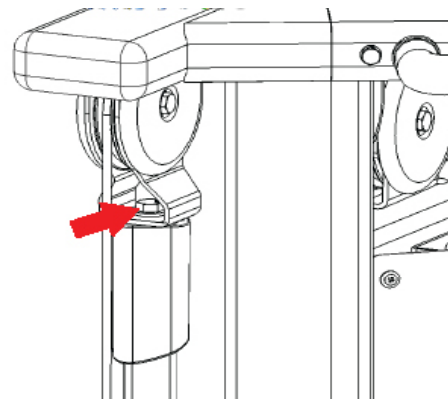
1. Remove the top swivel pulley, allowing the cable to be removed.



2. Remove the cable from the back of the trolley.

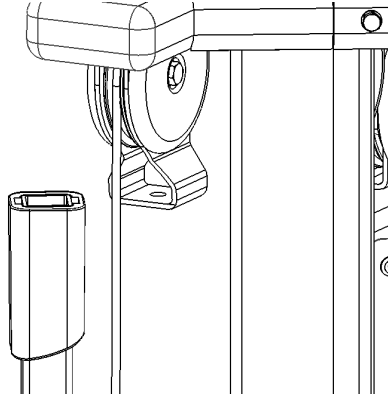


3. Remove the fastener at top of guide post. The fastener type will vary based on the machine you are working on: DAP, CC, or MS.

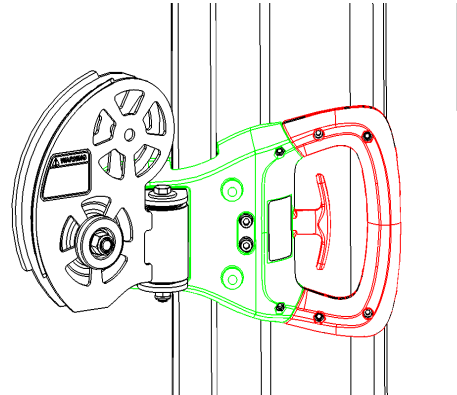


Technical Procedure

4. Tip the post out and remove top rubber stop. Pay attention to the orientation of the bumper for later use.



5. Remove the trolley and swivel from the guide.



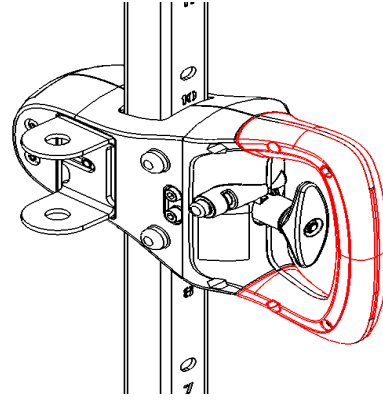
6. Be sure to also remove the Secondary Stop below the trolley if present.

NOTE: The new (Gen. 3) trolley does not require the use of the Secondary Stop. **Be sure to disconnect the discard the Secondary Stop before install the Gen. 3 trolley.**

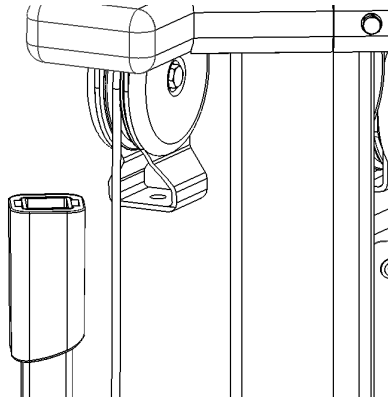


Technical Procedure

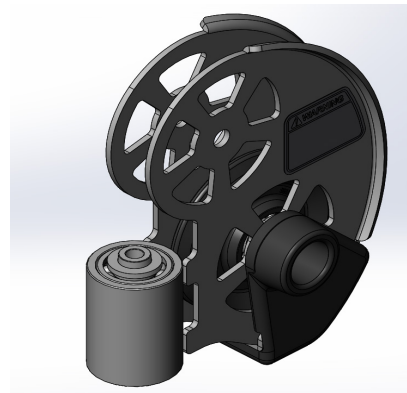
7. Remove the new trolley from the package and install it onto the guide, pay close attention to the orientation making sure the swivel mount is in the right place.



8. Replace the top rubber stop, pay attention to the orientation of the bumper. Then reinstall the post fasteners.

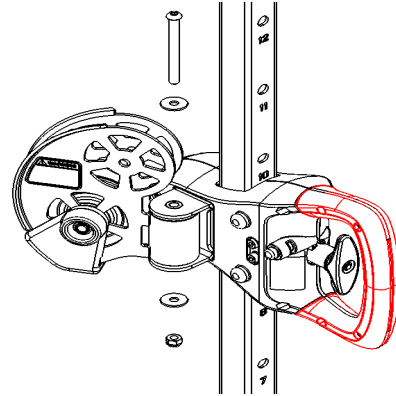


9. Remove the new swivel from packaging, and remove top pulley from assembly

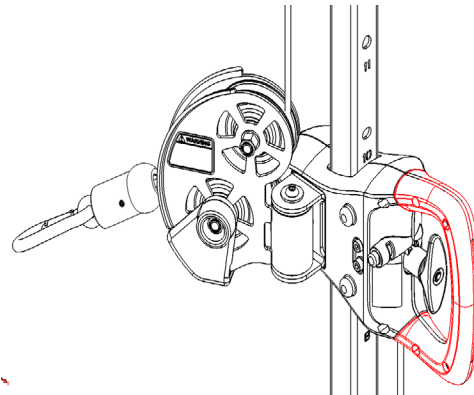


Technical Procedure

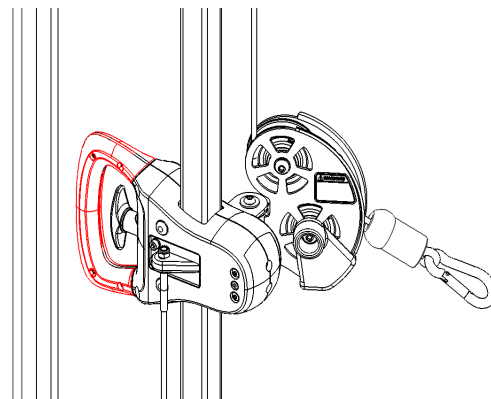
10. Install new swivel onto trolley



11. Place the cable into the swivel and then reinstall the pulley and fasteners.



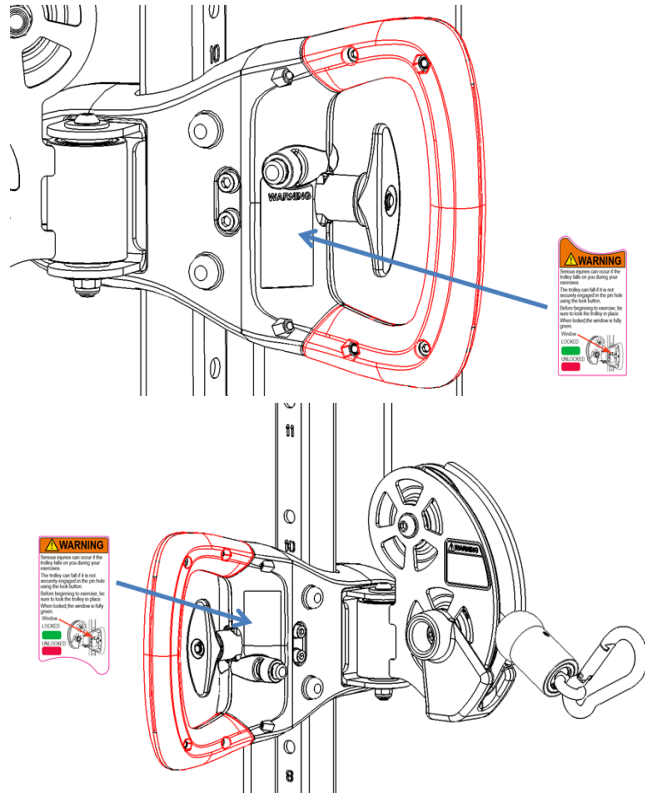
12. Reattach the cable to the back of the trolley



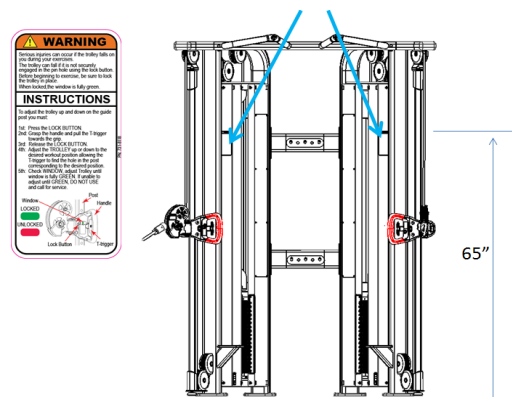
Technical Procedure

13. Install appropriate warning label to the trolley, make sure the surface is clean before installing.

NOTE: Pay close attention to the orientation of the sticker to the handle, each side is different.

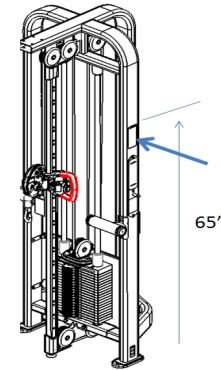


14. FOR DAP: Install the instruction sticker onto the machine in the two places shown, 65" from the ground to the top of the sticker



Technical Procedure

- FOR CC: Install instruction sticker onto the machine where shown, place 65" from the ground to the top of the sticker



- FOR MS: Install instruction sticker onto the machine where shown, 65" from the ground to the top of the sticker

