


Guide Rod Cap Kit

Installation Instructions

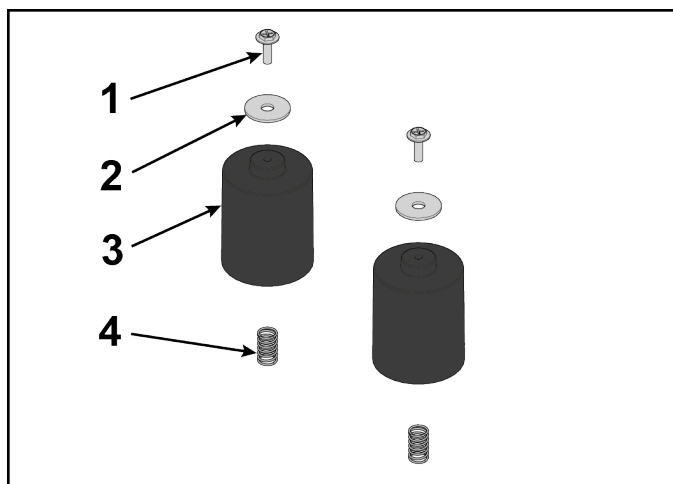
This instruction sheet describes how to replace the guide rod caps on the Jungle Gym line.

Tools Required:

- Phillips screwdriver

 Read and understand all instructions thoroughly before installing this kit.

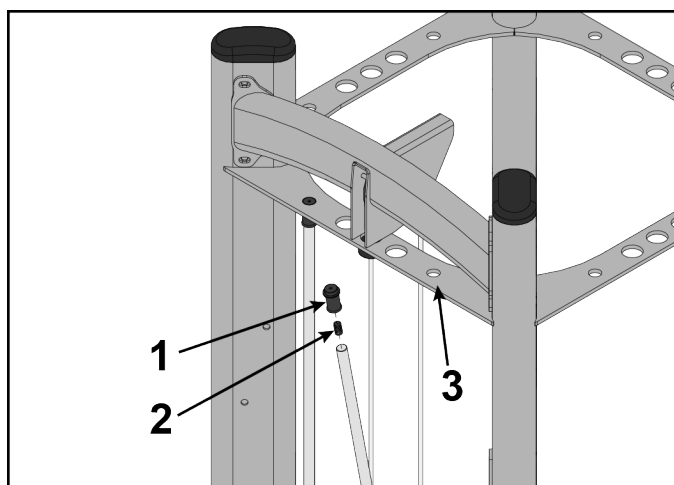
Verify the kit contents shown.



	Description	Qty
1	Phillips screw	2
2	Flat washer	2
3	Spacer	2
4	Compression spring	2

Remove guide rod caps without screws

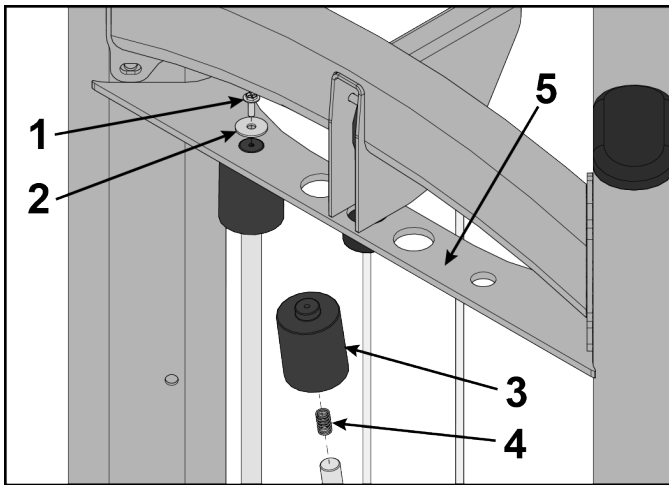
Remove top guide rod caps without screws. Top guide rod cap contains a compression spring that will fly if grasp is not released slowly. Slide spring loaded top guide rod cap down guide rod until cap is clear of frame bracket. Slowly release grasp of top guide rod cap and remove.



	Description	Qty
1	Top guide rod cap	2
2	Compression spring	2
3	Frame bracket	1

Remove guide rod caps with screws

1. Remove Phillip screws and washers using a Phillip screwdriver.

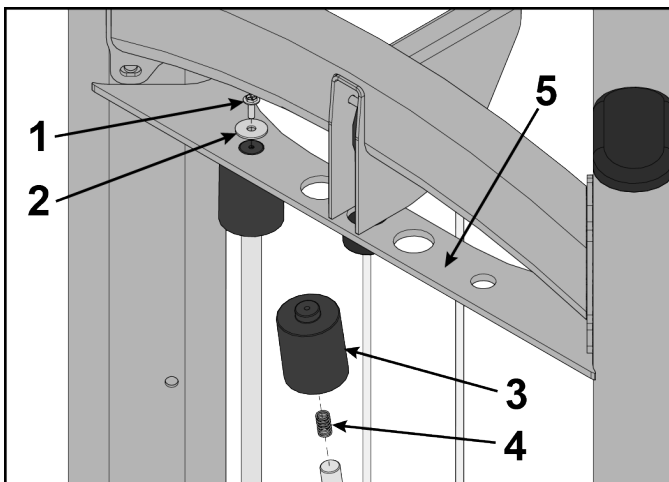


	Description	Qty
1	Phillips screw	2
2	Flat washer	2
3	Top guide rod cap	2
4	Compression spring	2
5	Frame bracket	1

2. Remove top guide rod caps. Top guide rod cap contains a compression spring that will fly if grasp is not released slowly. Slide spring loaded top guide rod cap down guide rod until cap is clear of frame bracket. Slowly release grasp of top guide rod cap and remove.

Install guide rod caps with screws

1. Install compression spring and top guide rod cap onto guide rod.
2. Slide spring loaded top guide rod cap down guide rod until cap is clear of frame bracket and install.



	Description	Qty
1	Phillips screw	2
2	Flat washer	2
3	Top guide rod cap	2
4	Compression spring	2
5	Frame bracket	1

3. Install Phillip screw and washer securing top guide rod cap to frame bracket using a Phillip screwdriver.